

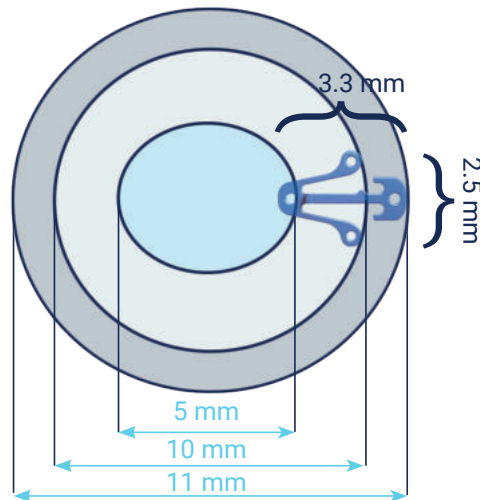
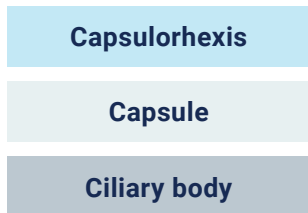
# Advanced Solutions

## AssiAnchor

### Attributes

- Hanita Lenses upgraded capsular anchor device
- Securing the capsular bag to the scleral wall
- Enables cataract surgery for subluxated lens
- Centers subluxated capsule
- Provides a wide contact between the device and the anterior capsule

### Capsule, Sulcus<sup>1,2</sup> and AssiAnchor dimensions



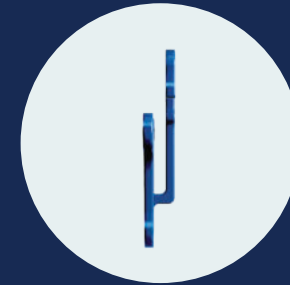
### Specifications

**Material:** Blue tinted PMMA

**YAG laser:** compatible

Developed with Prof. E.Assia, Israel

# Upgraded Capsular Anchor Device



Ref 1,2

1. Assia E.I., Apple D.J.: Side-View Analysis of the Lens. Part 1: The Crystalline Lens and the Evacuated Bag Arch. Ophthalmol. 1992; 110: 89-93.
2. Assia E.I., Apple D.J.: Side-View Analysis of the Lens. Part 2: Positioning of Intraocular Lenses. Arch. Ophthalmol. 1992; 1 10: 94-98.